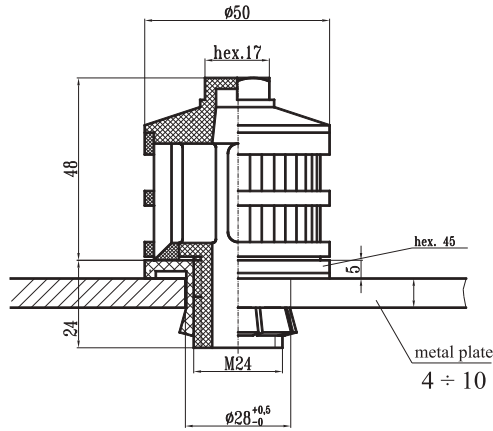
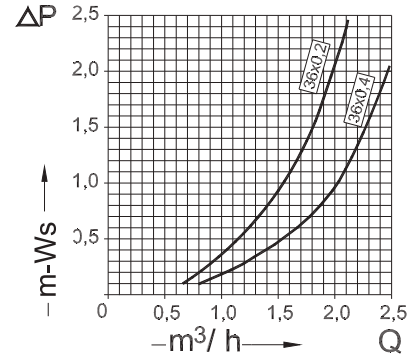




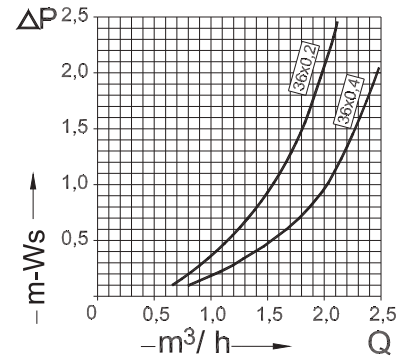
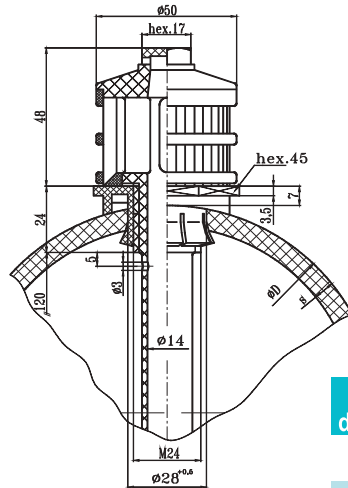
## Filter nozzle - Type RACP



\* Mounting hole:  $\text{Ø}28^{+0.5}_0$



## Filter nozzle - Type RAD



Pipe diameter $\text{ØD}$	Pipe thickness $s$ (mm)	Mounting hole $\text{ØD1}$
$\text{Ø}150$	$7,5 \pm 2$	$\text{Ø}28 / \text{Ø}29^{+0.5}_0$
$\text{Ø}160$	$10 \pm 2$	$\text{Ø}28 / \text{Ø}29^{+0.5}_0$

Type	Filtering surface $\text{mm}^2$
RACP 24x0,2 - "S"	96
RACP 36x0,2 - "S"	144
RACP 36x0,4 - "S"	288
RACP 36x0,45 - "S"	324
RACP 24x2,0 - "S"	912
RACP 24x2,6 - "S"	1248

Type	Filtering surface $\text{mm}^2$
RAD $\text{ØD}$ 24x0,2 - $\text{ØD1}$	96
RAD $\text{ØD}$ 36x0,2 - $\text{ØD1}$	144
RAD $\text{ØD}$ 36x0,4 - $\text{ØD1}$	288
RAD $\text{ØD}$ 36x0,45 - $\text{ØD1}$	324
RAD $\text{ØD}$ 24x2,0 - $\text{ØD1}$	912
RAD $\text{ØD}$ 24x2,6 - $\text{ØD1}$	1248